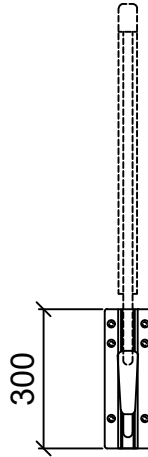
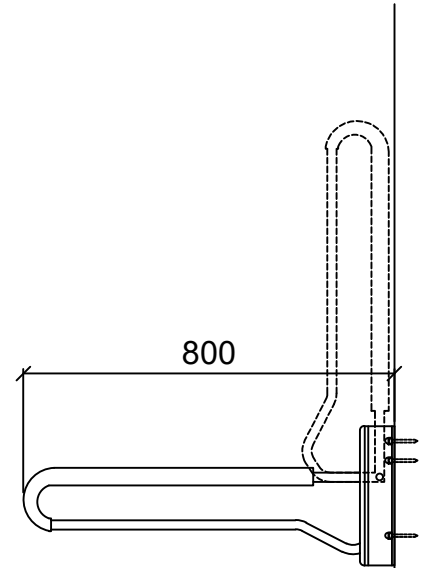


10101 PLAN



10101 FRONT



10101 SIDE